

MTD 20-40



Kongskilde MTD blowers are direct coupled centrifugal units designed for handling material through the blowers.

The MTD blowers are equipped with a self-cleaning rotor, which

has backward curved blades and an aerodynamic intake. The rotor is statically and dynamically balanced.

A standard range of acoustic housings is available for reducing the noise level.

The range covers the air volumes from 1,000 m³/h to 12,000 m³/h. The pressure goes up to 460 mm Water Gauge.

The MTD blowers are also available with 60 Hz motor.

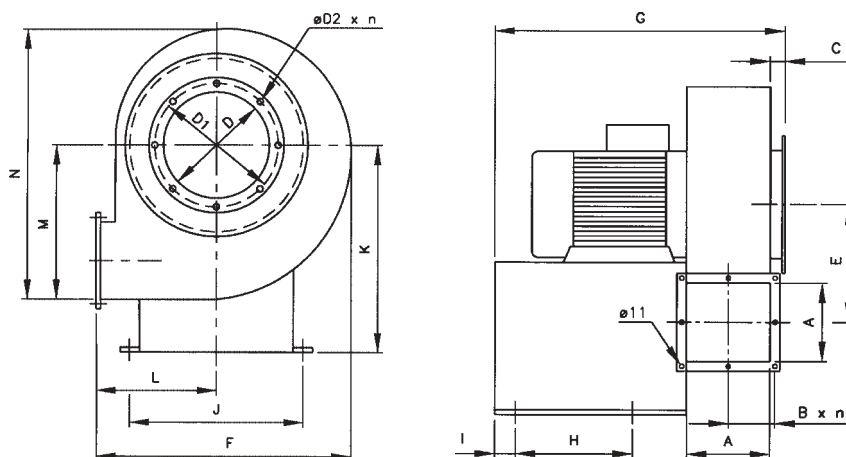
MTD 20/22/25/30/35/40

Dimensions

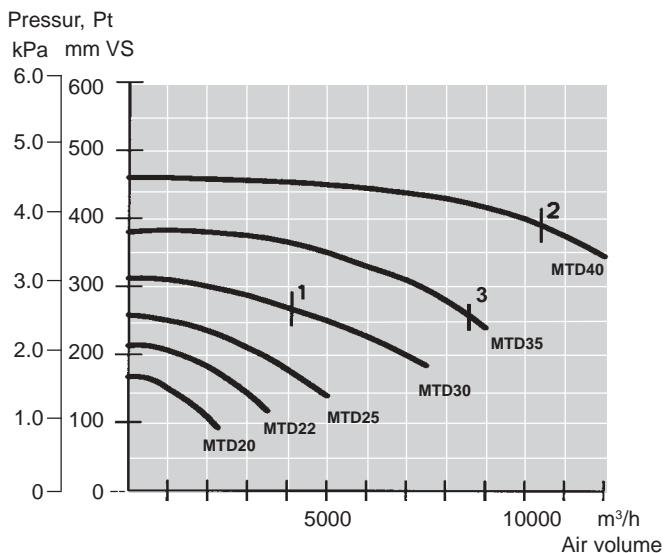
Type	A mm	B mm	C mm	D mm	D1 mm	øD2 mm	n mm	E mm	F mm	G mm	H mm	I mm	J mm	K mm	L mm	M mm	N mm
MTD20	140	85x2	33	200	235	9	12	207	448	406	141	40	329	325	198	284	500
MTD22	166	98x2	29	225	260	9	12	220	500	475	192	40	326	340	224	310	552
MTD25	186	108x2	30	250	285	9	12	248	582	530	210	50	356	384	273	348	618
MTD30	206	118x2	36	300	335	9	12	267	631	644	230	50	356	415	293	377	676
MTD35	225	128x2	45	350	389	11	12	320	670	740	360	50	390	515	293	438	770
MTD40	250	94x3	55	400	439	11	16	330	740	810	400	50	488	500	326	462	824

Air Volume

1. MTD30 with a 5.5 kW motor max. 4,100 m³/h.
2. MTD40 with a 18.5 kW motor max. 10,400 m³/h.
3. MTD35 with a 11.0 kW motor max. 8,500 m³/h



Technical Data



Type	Motor kW*	Rpm	Fuse rating	Weight kg	Noise level 1m dB(A)	Standard inlet/length mm
MTD20	1.1	2800	6	41	74	OK160/265
MTD22	2.2	2820	10	54	73	OK200/215
MTD25	4	2880	16	76	76	OK200/265
MTD30	5.5	2860	20	102	80	Ø250/260
MTD30	7.5	2860	25	107	80	Ø250/260
MTD35	11	2920	35	154	80	Ø250/360
MTD35	15	2920	50	191	80	Ø250/360
MTD40	18.5	2920	63	207	84	Ø300/360
MTD40	22	2920	80	283	84	Ø300/360

*All motors as standard supplied 3 x 400 V, 50 Hz to IP55



Kongskilde Industries A/S
 DK-4180 Sorø, Denmark
 Tel. +45 57 86 50 00
 Fax. +45 57 86 51 00
 E-mail: mail@kongskilde.com
 www.kongskilde.com